

Plug SCHUKO

Part number: 10829



MENNEKES
Elektrotechnik GmbH & Co. KG

Aloys-Mennekes-Straße 1
57399 Kirchhundem
GERMANY

www.MENNEKES.org

Product Description

- screw connection technology
- protection against kinking
- strain relief
- with cable gland
- with protective cap
- (form DS)
- with double PE-conductor acc. to German and French-Belgian standard
- for cables up to 3 x 2,5 mm², up to H07RN-F
- with bayonet ring
- protective cap attached by a strap

Technical Details

Plug SCHUKO	10829
Product serie	SCHUKO
Ampere	16A
Number of poles	2p+PE
Nominal voltage AC	230V
Protection type IP	IP68
Contact carrier	standard
Connection	screw terminals
Contact screw drive	PZ2, slot
Recommended wire end treatment for supply cable connection terminal	ferrule square gasproof crimped
Phase inverter	without phase inverter
Pilot contact	without pilot contact
Conductor cross-section max.	2.5 mm ²
Cable kink protection	integrated in cable gland
Protective grommet	without protective grommet
Protective cap	with protective cap
Weight (net)	140 g
Packaging unit	5 pcs
Quantity per pallet	1040 pcs
EAN / identification number	4015394035527

Permissible ambient conditions

	Min.	Max.
Permanent ambient temperature	-5 °C	40 °C

Material properties

Housing	PA6 bronze green [similar RAL 6031]
Protective cap	PA/ABS bronze green [similar RAL 6031]
Bayonet ring	PC bronze green [similar RAL 6031]

Material resistance

The material resistance overview can be found on the website in the section “Knowledge” - “Product knowledge” - “Materials”.

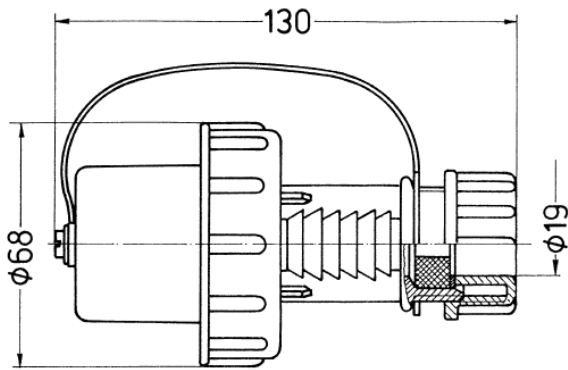
Material and enviromental properties

RoHS 2011/65/EU incl. 2015/863/EU	✓
POP regulation (EU) 2019/1021	✓

Regulations and Standards

Norm	DIN VDE 0620-2-1
Declaration of Conformity	CE
Test label	EAC, VDE

Dimensional Drawing



Drawing
2 MB 163

Dim. in mm